

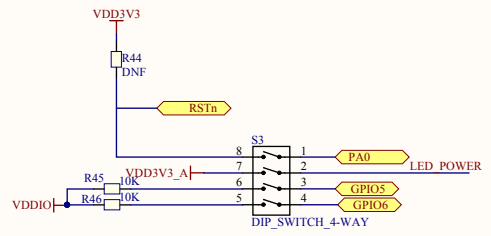
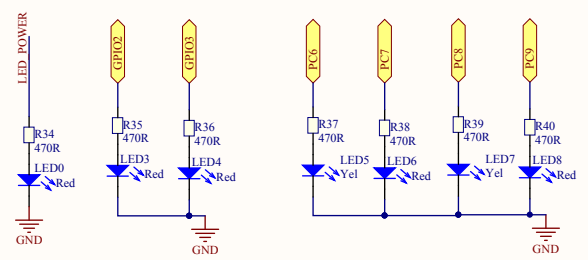
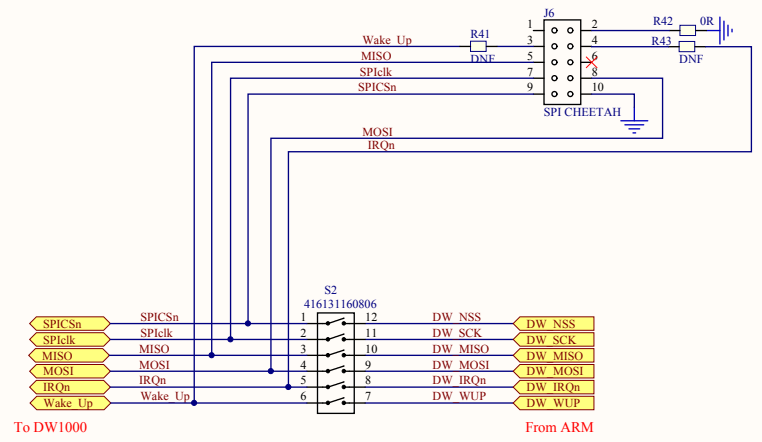
Orientation of J100 needs to have odd pin numbers (with the gap in shroud) facing the edge of the board

Switches 3-8 Application Dependant

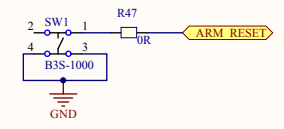
**BOOT SELECTION**

BOOT0	BOOT1	MODES
0	X	Main flash
1	0	System memory
1	1	Embedded SRAM

**EXTERNAL SPI**



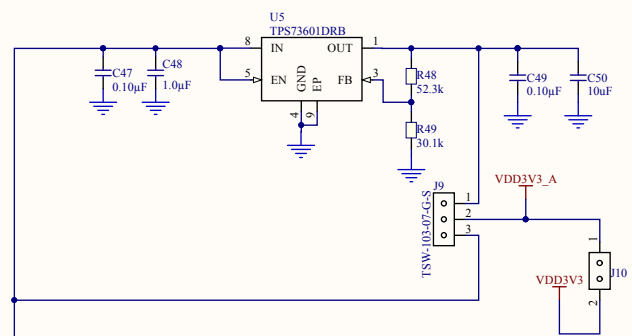
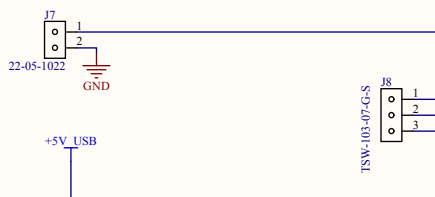
**Reset Circuit**



Title <b>DW1000 EVB</b>			DecaWave Ltd. Adelaide Chambers, Peter Street, Dublin 8 Ireland	
Function : Misc				
Size: A3	Number:*	Revision:0-04		
Date: 13/08/2018	Time: 14:31:04	Sheet 3 of 4		
This document is DecaWave's property, it may not be used, transmitted or reproduced without their approval				

Input Connection	Input Voltage	J8			J9		
		1	2	3	1	2	3
J7	3.4V to 5.5V	S	S	O	S	S	O
J7	3.3V	S	S	O	O	S	S
USB	USB	O	S	S	S	S	O

S = SHORT  
O = OPEN



# Component list

DW1000 EVB

Source Data From:

Project:

Variant:

Decawave\_DW1000\_EVB\_REV0-03.PrjPcb

Decawave\_DW1000\_EVB\_REV0-03.PrjPcb

None



Report Date: 19/07/2013 14:31:20  
 Print Date: 19-Jul-13 2:31:30 PM

Quantity	Designator	Part Number	Manufacturer	Description	Value	Footprint	Tolerance	Voltage	Power_Rating
2	C1, C24	GRM188R60J475KE19D	Murata	Capacitor Non Polarized	4.7µF	C_0603	+/-10%	6.3V	
3	C2, C32, C50	LMK107BJ106MALTD	Taiyo Yuden	Capacitor Non Polarized	10µF	C_0603	+/-20%	10V	
4	C3, C4, C9, C10	GRM1555C1H120GA01D	Murata	Capacitor Non Polarized	12pF	C_0402	+/-2%	50V	
1	C5	GRM1555C1H270GA01D	Murata	Capacitor Non Polarized	27pF	C_0402	+/-2%	50V	
1	C6	GRM1555C1H1R2WA01D	Murata	Capacitor Non Polarized	1.2pF	C_0402	+/-0.05pF	50V	
1	C7	GRM1555C1H821GA01D	Murata	Capacitor Non Polarized	820pF	C_0402	+/-2%	50V	
3	C8, C43, C44	GRM1555C1H180GA01D	Murata	Capacitor Non Polarized	18pF	C_0402	+/-2%	50V	
24	C11, C12, C13, C14, C15, C16, C17, C18, C19, C20, C23, C25, C26, C29, C33, C34, C35, C36, C37, C38, C40, C45, C47, C49	GRM155R61C104KA88D	Murata	Capacitor Non Polarized	0.10µF	C_0402	+/-10%	16V	
1	C21	C0805C476M9PACTU	KEMET	Capacitor Ceramic	47µF	0805	20%	6.3V	
1	C22	GRM155R71E103KA01D	Murata	Capacitor Non Polarized	10000pF	C_0402	+/-10%	25V	
4	C27, C30, C41, C42	GRM1555C1H100GA01D	Murata	Capacitor Non Polarized	10pF	C_0402	+/-2%	50V	
2	C28, C31	GRM1555C1H331GA01D	Murata	Capacitor Non Polarized	330pF	C_0402	+/-2%	50V	
3	C39, C46, C48	GRM155R61A105KE15D	Murata	Capacitor Non Polarized	1.0µF	C_0402	+/-10%	10V	
1	F1	NANOSMDC050F	Tyco	Fuse		F_1206			
1	J1	526-5757	Tyco	SMA Jack End Launch PCB		SMA_Edge			
4	J2, J3, J8, J9	TSW-103-07-G-S	SAMTEC	Header 1x3 0.1"		1x3 0.1"			
1	J4	HTSS-110-02-T-D	Samtec	Shrouded 2x10 Header, 2.54mm VERTICAL THT					
1	J5	47590-0001	Molex Inc.	MICRO USB AB RECEPT Right Angle Top Mount, SMT		47590-0001			
1	J6	TSW-105-07-G-D	SAMTEC	Header 2x5 0.1"		2x5 0.1"			
1	J7	22-05-1022	Molex	2-Way PCB Header, Friction Lock, 2.5mm Pitch					
1	J10	TSW-102-07-G-S	SAMTEC	Header 1x2 0.1"		1x2 0.1"			
1	L1	BLM21PG221SN1D	Murata	Ferrite	220 OHM	L_0805	25%		
5	LED0, LED3, LED4, LED6, LED8	SML-LX0603W-TR	Lumex	LED 0603 Package, Half Moon Solder Terminals, RED		SML-LX0603		2V	
2	LED5, LED7	SML-LX0603SYW-TR	Lumex	LED 0603 Package, Half Moon Solder Terminals, YELLOW		SML-LX0603		2V	
9	R1, R9, R10, R13, R14, R15, R22, R42, R47	MCR01MZPJ000	Rohm	Resistor	0R	R_0402			1/16W
7	R2, R6, R8, R12, R41, R43, R44	DNF	Rohm	Resistor	DNF	R_0402	n/a		1/16W
1	R3	MCR01MZPF1102	Rohm	Resistor	11K	R_0402	1%		1/16W
1	R4	MCR01MZPF1602	Rohm	Resistor	16K	R_0402	1%		1/16W
1	R5	MCR01MZPF2700	Rohm	Resistor	270R	R_0402	1%		1/16W
1	R7	MCR01MZPF1000	Rohm	Resistor	100R	R_0402	1%		1/16W
19	R11, R17, R18, R19, R20, R21, R23, R24, R25, R26, R27, R28, R29, R30, R31, R32, R33, R45, R46	MCR01MZPF1002	Rohm	Resistor	10K	R_0402	1%		1/16W
1	R16	MCR01MZPF1004	Rohm	Resistor	1M	R_0402	1%		1/16W
7	R34, R35, R36, R37, R38, R39, R40	MCR01MZPF4700	Rohm	Resistor	470R	R_0402	1%		1/16W
1	R48	ERJ-2RKF5232X	Panasonic	Resistor	52.3k	R_0402	0.01		0.125W
1	R49	ERJ-2RKF3012X	Panasonic	Resistor	30.1k	R_0402	0.01		0.125W
1	S1	416131160808	Würth	8 way 1.27mm pitch Dip Sw itch					
1	S2	416131160806	Würth	6 way 1.27mm pitch Dip Sw itch		Dip_Sw itch_1.27mm_6way			
1	S3	416131160804	Würth	4 way 1.27mm pitch Dip Sw itch		Dip_Sw itch_1.27mm_4way			
1	SW1	B3S-1000	Omron	Tactile Sw itch (SMD) SPST		B3S-1000			
1	T1	HHM1595A1	TDK	SMT UWB Balun 3-8Ghz		HHM1595A1			
55	TP1, TP2, TP100, TP101, TP102, TP103, TP104, TP105, TP106, TP107, TP108, TP109, TP110, TP111, TP112, TP113, TP114, TP115, TP116, TP117, TP118, TP119, TP120, TP121, TP122, TP123, TP124, TP125, TP126, TP127, TP128, TP129, TP130, TP131, TP132, TP133, TP134, TP135, TP136, TP137, TP138, TP139, TP140, TP141, TP142, TP143, TP144, TP145, TP146, TP147, TP148, TP149, TP150, TP151, TP152			test point		Decaw ave-Test-Point			
1	U1	DW1000_QFN	Decaw ave Ltd.	UWB DW1000		QFN-48			
1	U2	LXDC2HL_18A-052	Murata	Micro DC-DC Converter					
1	U3	STM32F105RC	ST Microelectronics	ARM Cortex-M3 32 bit MCU-256Kbytes Flash		LQFP64			
1	U4	EADOGM162W-A	Electronic Assembly	LCD Character Display Module 2x16					
1	U5	TPS73601DRB	Texas Instruments	Cap Free, NMOS, 400mA LDO with Reverse Current Protection		8 PIN SON			
1	X1	RSX-10	Rakon	SMD Crystal Oscillator				+/-10ppm	
1	X2	ABS07-32.768KHZ-9-T	Abracon	32.768KHZ Crystal 9pF 3.2x1.5mm		ABS07		+/- 20ppm	
1	X3	ABM3-12.000MHZ-D2Y-T	Abracon	SMD Crystal Oscillator		ABM3		+/-20ppm	